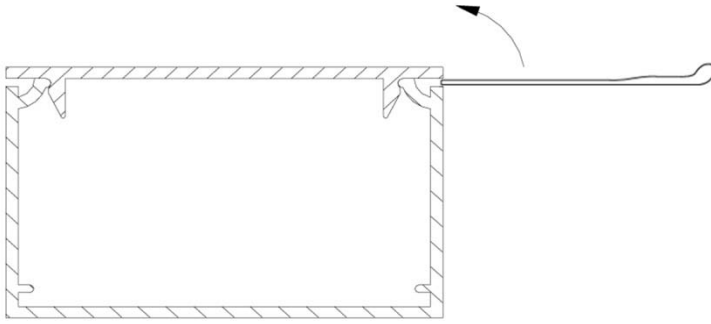


## LabLink Installation Instructions

### Mounting

The relief slots on either side of the **LABLINK** raceway body are used during the removal of the covers. For removal, carefully insert a wide blade into the slot. Apply steady pressure in the direction of the diagram below to dislodge the side of the channel from the cover. Avoid twisting of the blade which may damage cover.



(Exception: The cover plate of LABLINK Series RW355 is secured using retaining screws in place of the standard snap fitting interface. To remove cover, simply remove the screws.)