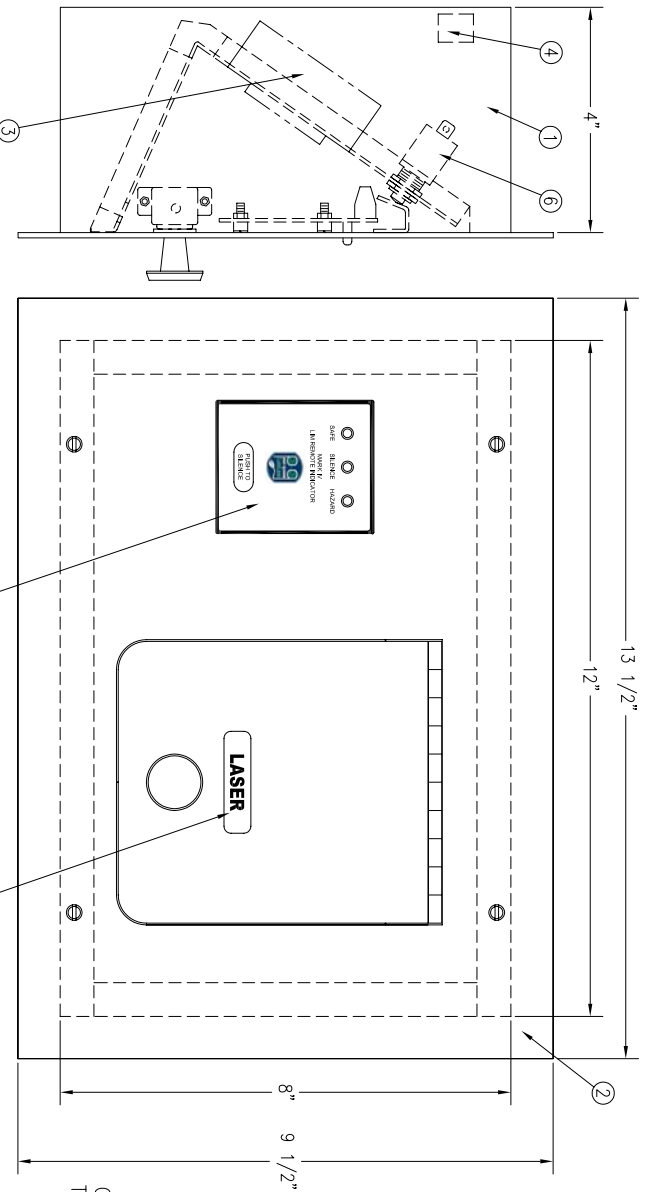


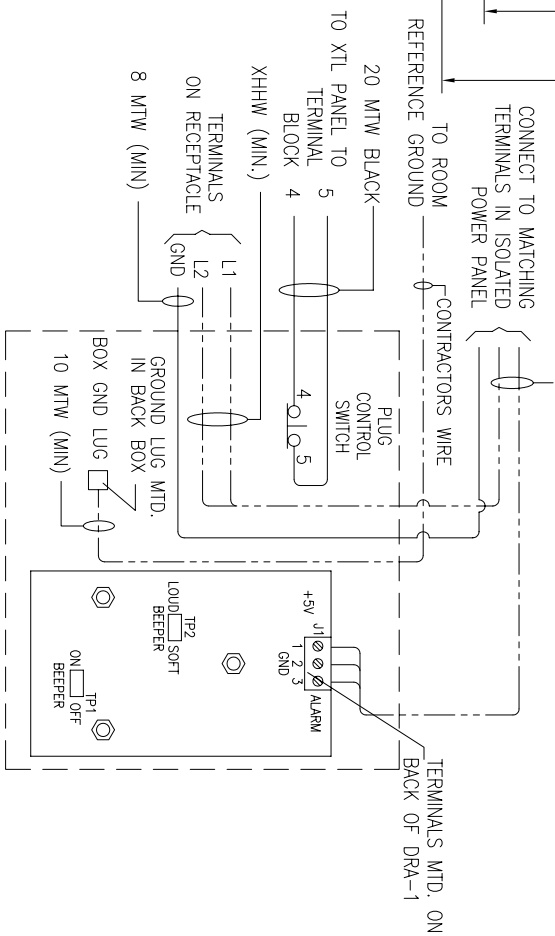
PARTS LIST

1. GALVANIZED BOX-CONDUIT ENTRY IN TOP ONLY, 418-206-684
2. STAINLESS STEEL COVER
3. LASER RECEPTACLE -
4. GROUND LUG
5. LABEL - LASER
6. PLUG CONTROL SWITCH
7. DIGITAL REMOTE ANNUNCIATOR, DRA-1



REFERENCE ONLY

TOTAL REQUIRED _____



ECN#09-034. REMOVED WIRE SIZING NOTE.

| | | | |
|-----------|-----|----------|----|
| REVISIONS | JUM | 03/06/09 | 01 |
|-----------|-----|----------|----|

FOR:

S.O. NUM.:

STD. B.O.M.: ACAD STD.: RLO-R08001.dwg

POST GLOVER LIFELINK
167 GAP WAY
ERLANGER, KY U.S.A. 41018 (859) 283-5900
COPYRIGHT © 2008

TITLE/DESCRIPTION:
LASER OUTLET WITH DRA-1 LIM SIGNAL AND PLUG CONTROL TYPE: RLO-R

DFT: JUM DATE: 02/28/08 DWG. NO.: RLO-R08001 REV.: 01

THIS DOCUMENT AND THE INFORMATION IT CONTAINS ARE THE PROPERTY OF POST GLOVER LIFELINK. IT IS DISCLOSED FOR THE PURPOSE FOR WHICH IT IS FURNISHED AND SHALL NOT BE DUPLICATED OR DISTRIBUTED.